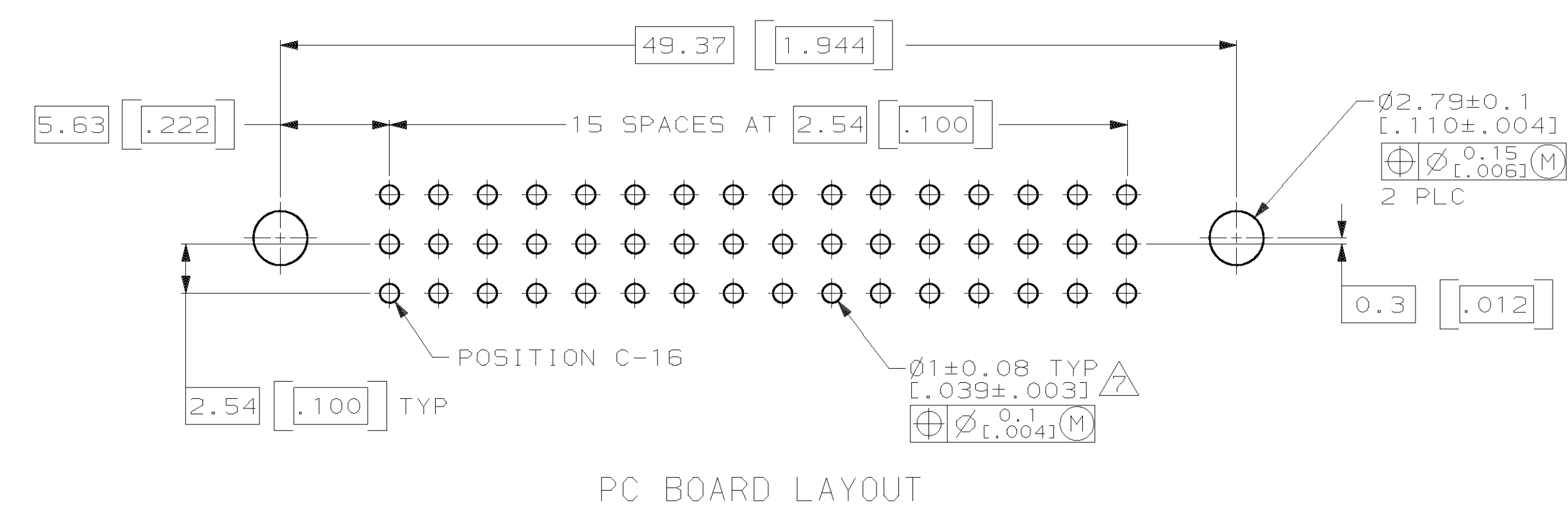
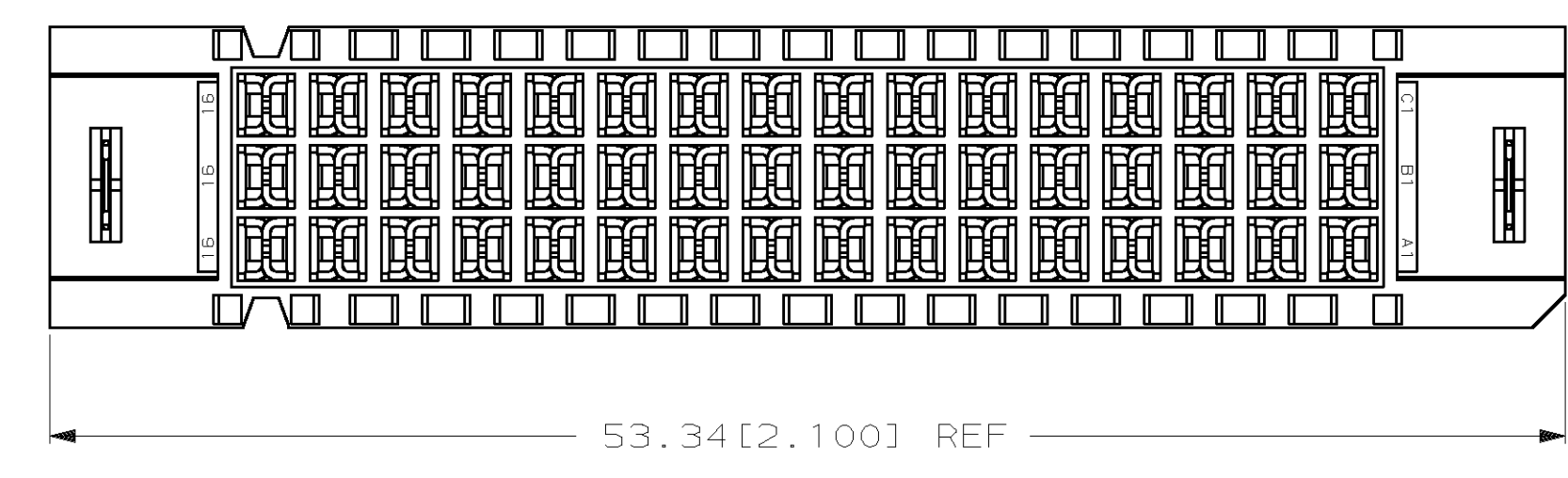
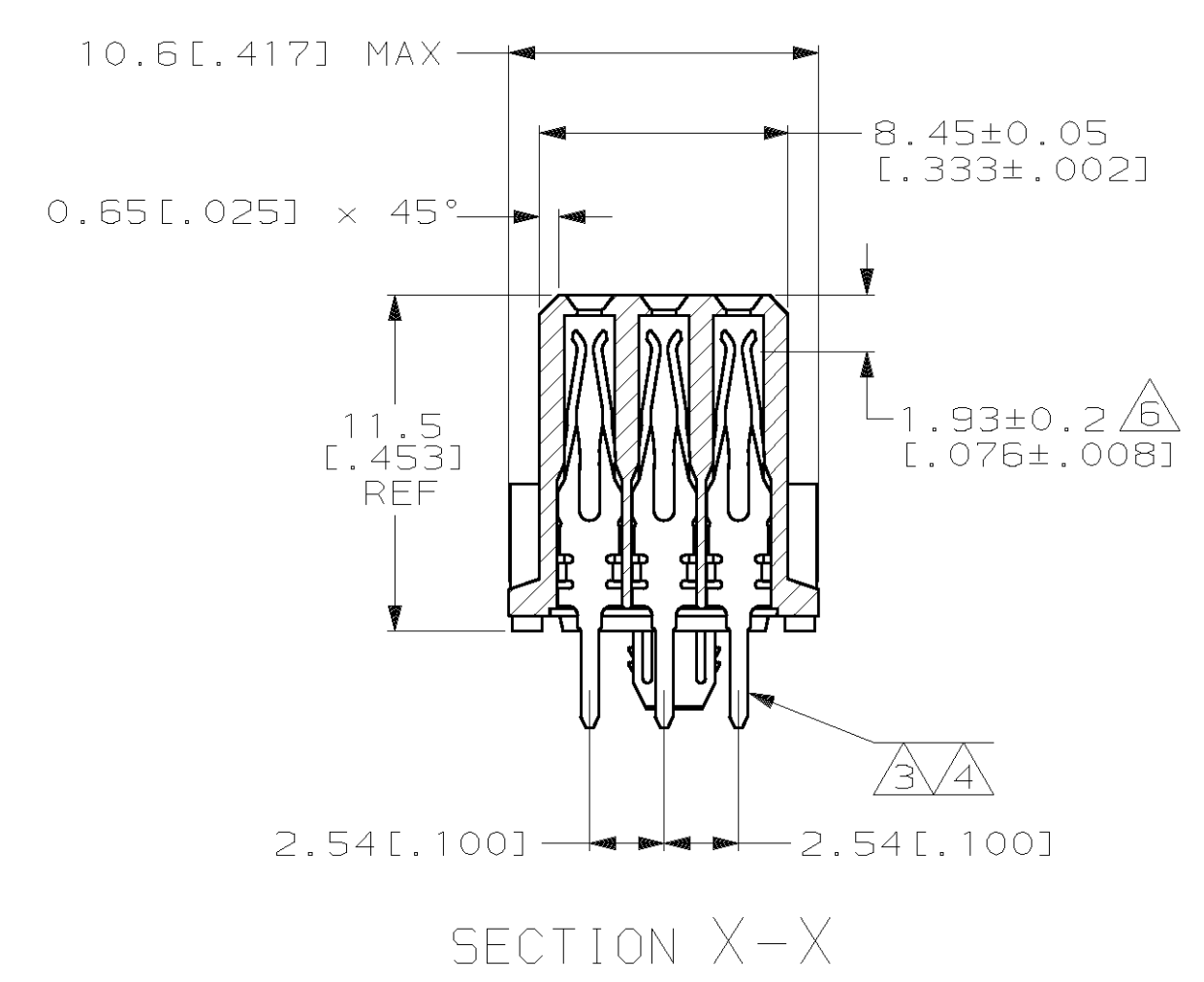
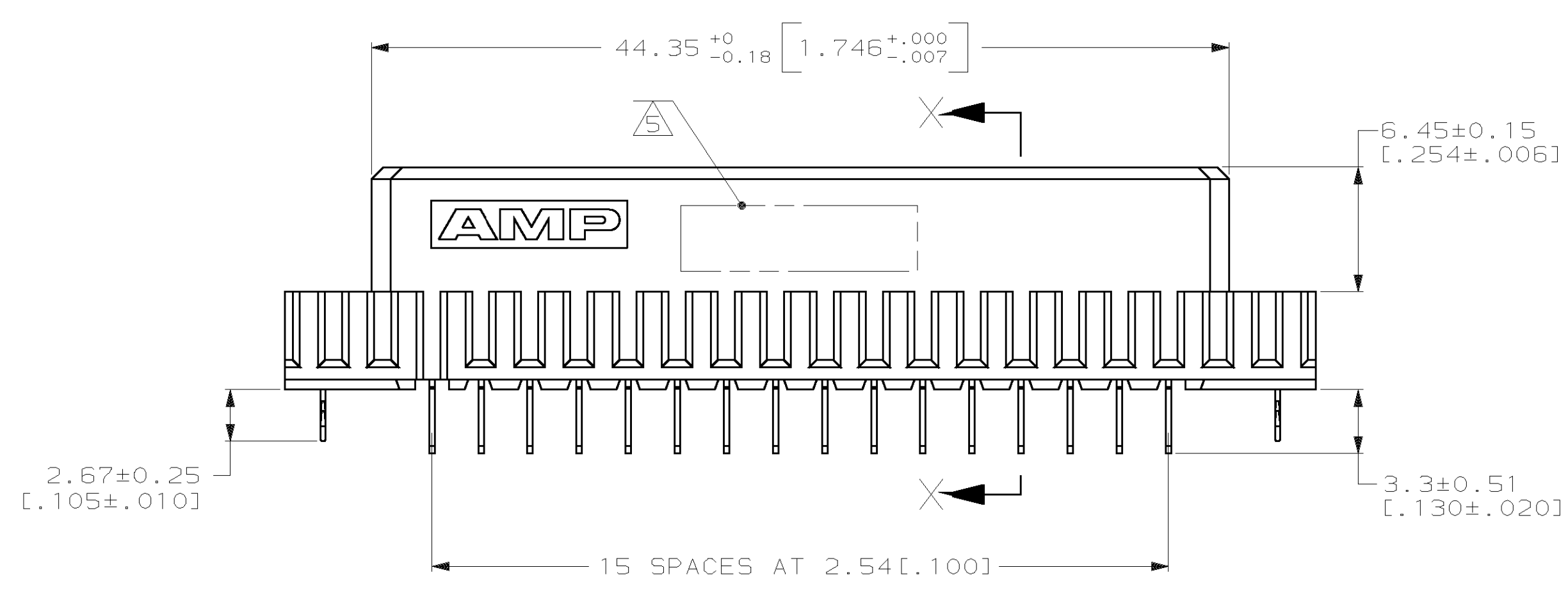
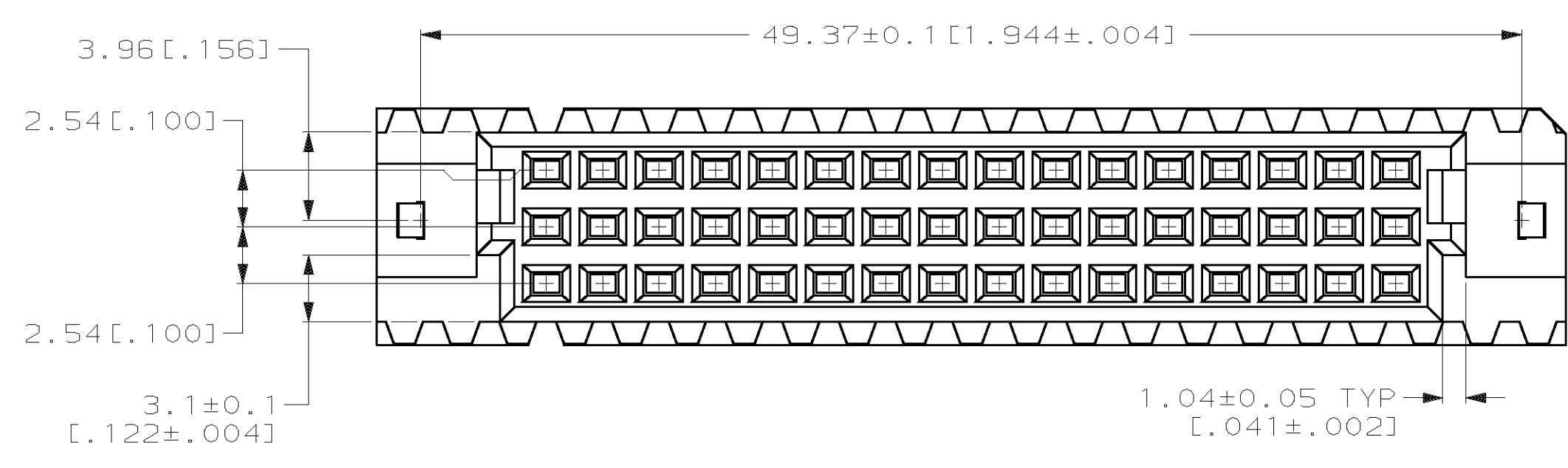


LOC	DIST	P	F	ZONE	LTR	DESCRIPTION	DATE	APPD
AD	25					REVISIONS		
						0 DRAWN	-	-
						A EC 0010-1241-95	11/1/95	CR
						B EC 0010-1437-95	1/11/96	CR
						C EC 0010-1488-95	4/1/96	CR
						D REV PER EC 001B-0367-00	04 JAN 01	CR



- ① HOUSING MATERIAL: GLASS-FILLED POLYESTER. COLOR: GRAY.
- ② CONTACT MATERIAL: PHOSPHOR BRONZE.
- ③ CONTACT FINISH: DIN 41612 CLASS 2 IN CONTACT AREA. TIN-LEAD ON POSTS.
- ④ CONTACT FINISH: DIN 41612 CLASS 3 IN CONTACT AREA. TIN-LEAD ON POSTS.
- ⑤ PART NUMBER, DATE CODE IDENTIFICATION, CSA LOGO IN THIS APPROXIMATE AREA.
- ⑥ CONTACT POINT.
- ⑦ RECOMMENDED HOLE SIZE FOR MANUAL APPLICATION OF CONNECTOR ONTO PC BOARD.

NOTES	POSITIONS LOADED	C	B	A	NO. OF LOADED POSITION	ASSY PART NUMBER	
OBsolete	④	1-16	X	X	X	48	536484-9
	③	1-16	X	X	X	48	536484-5
SUPERSEDED BY 536484-5	③	1-16	X	X	X	48	536484-4

DO NOT SCALE PRINT. UNLESS SPECIFIED DIMENSIONS IN mm [INCHES] TOLERANCES ON: 1 PLC DEC ± - 2 PLC DEC ± 0.13 [0.005] ANGLES ± -	DR L. BRINER 10/19/92 CHK R. PATTERSON 10/28/92 APPD R. PATTERSON 10/28/92	AMP INCORPORATED Harrisburg, Pa. 17105	
MATERIAL HSG ① CONT ②	APPD D.C. RUBENDALL 10/29/92 PRODUCT SPEC -	NAME RECEPTACLE ASSEMBLY, EUROCARD, TYPE "1/2C" WITH BOARD-LOCKS	
FINISH CONT ③④	APPLICATION SPEC -	SIZE D	FSCM NO 00779
	WEIGHT -	DRAWING NO 536484	SHEET 1 OF 1